

5MP ColourHunter HD Fixed Turret Analog Camera

UAC-T115-F28-W

UAC-T115-F40-W



Introduction

UAC-T115-F28/F40-W is a 5MP ColourHunter HD Fixed Turret Analog Camera with a high-performance 1/2.7-inch CMOS sensor. It supports TVI/AHD/CVI/CVBS, which effectively enhances product adaptability and diversity of networking solutions. With SYV-75-3 or other coaxial cable types the camera can achieve low-cost, long-distance, anti-interference, and low delay mega-pixel HD video transmission. The camera provides 24/7 color images.

Features

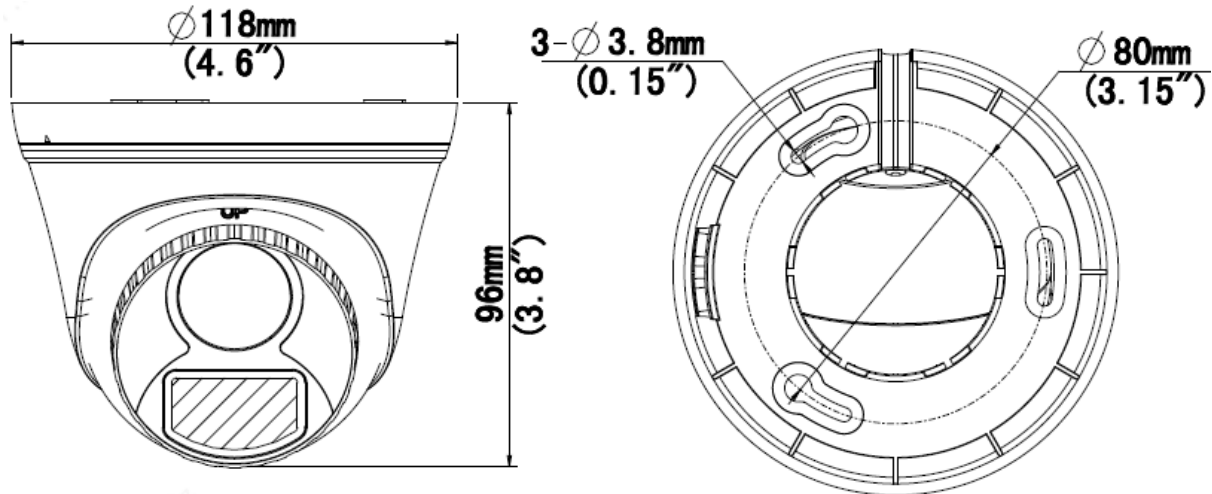
- 5MP high quality image
- TVI/AHD/CVI/CVBS
- Supports white light illumination, 24/7 color images
- Supports 180° horizontal flip, 180° vertical flip
- OSD configuration menu, easy to operate
- IP67 waterproof and dustproof design, high reliability
- OSD configuration menu in 11 languages

Specifications

Model	UAC-T115-F28-W	UAC-T115-F40-W
Sensor		
Pixel	5MP	
Size	1/2.7"	
Minimum illumination	0.02lux(F1.6, AGC ON) 0 lux (white light on)	
Lens		
Lens	2.8mm	4.0mm
Lens mount	M12	
Angle of view	H: 110.0° V: 57.0° D: 130.0°	H: 90.0° V: 48.0° D: 109.1°
Illuminator		
Illuminator	One white-light illuminator	
Illumination distance	20m	
Lifetime	≥60,000 hours	
Video		
Resolution	5MP@25fps: 2880(H)×1620(V); 5MP@20fps: 2592(H)×1944(V);5MP@12.5fps: 2592(H)×1944(V) 4MP: 2560(H)×1440(V) 1080P: 1920(H)×1080(V)	
Frame rate	TVI: 5MP@20fps, 5MP@12.5fps, 4MP@30fps, 4MP@25fps, 1080P@30fps, 1080P@25fps AHD: 5MP@20fps, 4MP@30fps, 4MP@25fps, 1080P@30fps, 1080P@25fps CVI: 5MP@25fps, 4MP@30fps, 4MP@25fps, 1080P@30fps, 1080P@25fps CVBS: PAL, NTSC	
Shutter time	PAL: 1/25s-1/50000s NTSC: 1/30s-1/50000s	
Image		
Exposure mode	4 modes: Global (default), BLC, HLC, DWDR	
Day/Night	24/7 color images	
Digital noise reduction	2D	
White balance	Two modes: Auto (default), Manual	
WDR	DWDR	
Flip	Supports 180° horizontal flip, 180° vertical flip.	
Interface		
Power	5.5mm power interface	
Video output	BNC, supports TVI/AHD/CVI/CVBS	
Operating environment		
Temperature	-30°C to 60°C(-22°F to 140°F)	
Humidity	≤95% (RH, non-condensing)	
Surge protection	4KV	
Ingress protection	IP67	
General		
Power	DC12V (±25%), with reverse polarity protection and surge protection, Max 2.4W	
Mount	Surface mount (default), optional backbox, wall mount bracket	
Dimensions	Φ118mm*96mm (diameter*height)	

Material	Plastic
Weight	205g(0.452lb)
Certification	CB, CE, FCC

Dimensions



UAC-T115-F28(40)-W

Ordering Information

Model	Remarks
UAC-T115-F28-W	5MP ColourHunter HD Fixed Turret Analog Camera (2.8mm fixed-focal lens, DC12V)-Overseas version, power adapter sold separately
UAC-T115-F40-W	5MP ColourHunter HD Fixed Turret Analog Camera (4.0mm fixed-focal lens, DC12V)-Overseas version, power adapter sold separately

Accessory Model	Image	Remarks
TR-JB03-I-IN		Plastic turret camera backbox (supports rear cabling)-D117.75mm*37.5mm, sold separately
TR-WM03-D-IN		Fixed mini dome/plastic turret camera wall mount bracket --126.42mm*125.57mm*183.37mm, sold separately
TR-JB07/WM03-G-IN		Fixed mini dome/plastic turret camera wall mount bracket --126.42mm*126.65mm*230.47mm, sold separately

Zhejiang Uniview Technologies Co., Ltd.

Building No.10, Wanlun Science Park, Jiangling Road 88, Binjiang District, Hangzhou, Zhejiang, China (310051)

Email: overseasbusiness@uniview.com; globalsupport@uniview.com

<http://www.uniview.com>

©2022 Zhejiang Uniview Technologies Co., Ltd. All rights reserved.

*Product specifications and availability are subject to change without notice.